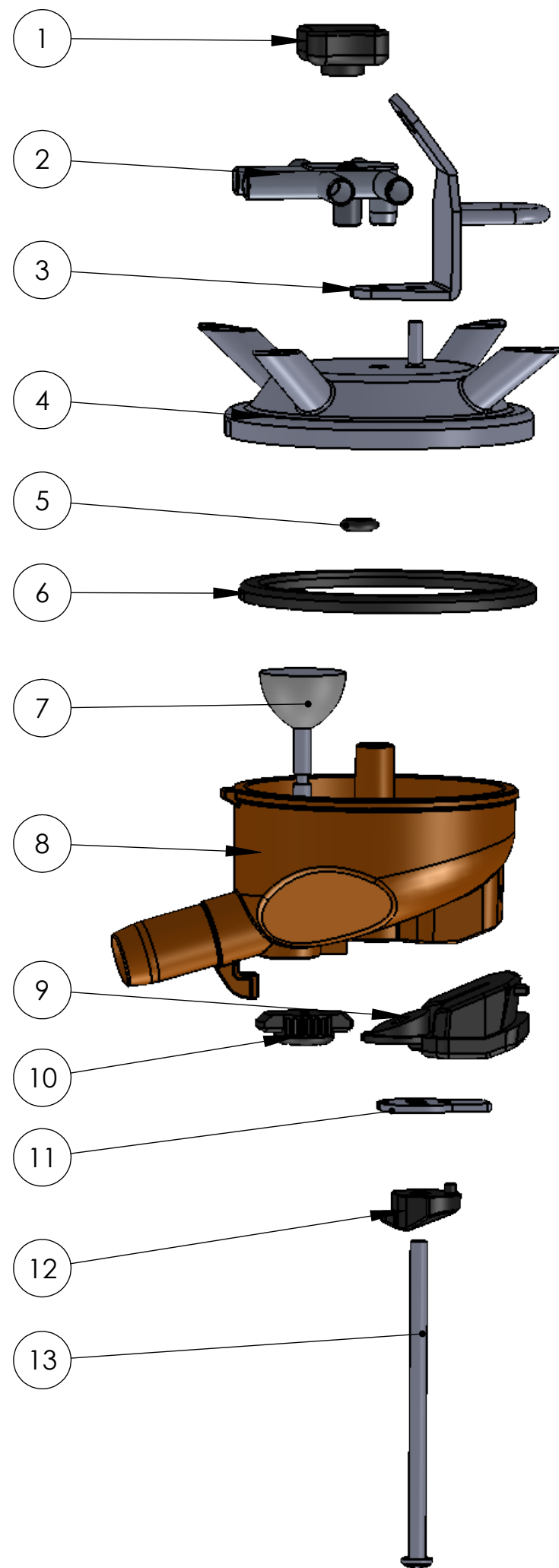


300cc Claw with valve



#14326 - Replacement 300cc claw with valve, S.S. 9/32", side to side

#14327 - Replacement 300cc claw with valve, S.S. 9/32", back to front

#14328 - Replacement 300cc claw with valve, S.S. 3/8" x 1/4", back to front

#14329 - Replacement 300cc claw with valve, S.S. 3/8 x 9/32, back to front

#14333 - Replacement 300cc claw with valve, S.S. 1/4", back to front

#14300 - Replacement 300cc claw with valve, plastic, 9/32" side to side

#14331 - Replacement 300cc claw with valve, plastic, 9/32" back to front

For Non-vented use -NV behind the part number

ITEM	PART NUMBER	DESCRIPTION	QTY
1	14313	Black nut	1
2	14320	Stainless 9/32" x 9/32" Side to Side Tee	
	14324	Stainless 9/32" x 9/32" Back to Front Tee	
	14321	Stainless 3/8" x 3/8" Back to Front Tee	
	14323	Stainless 3/8" x 1/4" Back to Front Tee	
	14336	Stainless 1/4" x 1/4" Back to Front Tee	
	14309	Plastic 9/32" x 9/32" Side to Side Tee	
	14335	Plastic 9/32" x 9/32" Back to Front Tee	
3	14312	Stainless top hanger with loop	1
	14346	Stainless top hanger with hook	
4	14315	Stainless top, VENTED	1
	14340	Stainless top, NON-VENTED	
5	14307	Small gray center gasket	1
6	14305	Bowl gasket	1
7	14351	Gray shutoff valve	1
8	14350	Bowl WITH hole	1
9	14306	Rubber bumper	1
10	14302	Shutoff clip	1
11	14318	Stainless flat tab	1
12	14304	Bolt holder	1
13	14308	Bolt for claw with valve	1
14	14355	Rubber parts kit for claw with valve, (Includes: 5-7, 9, &10)	