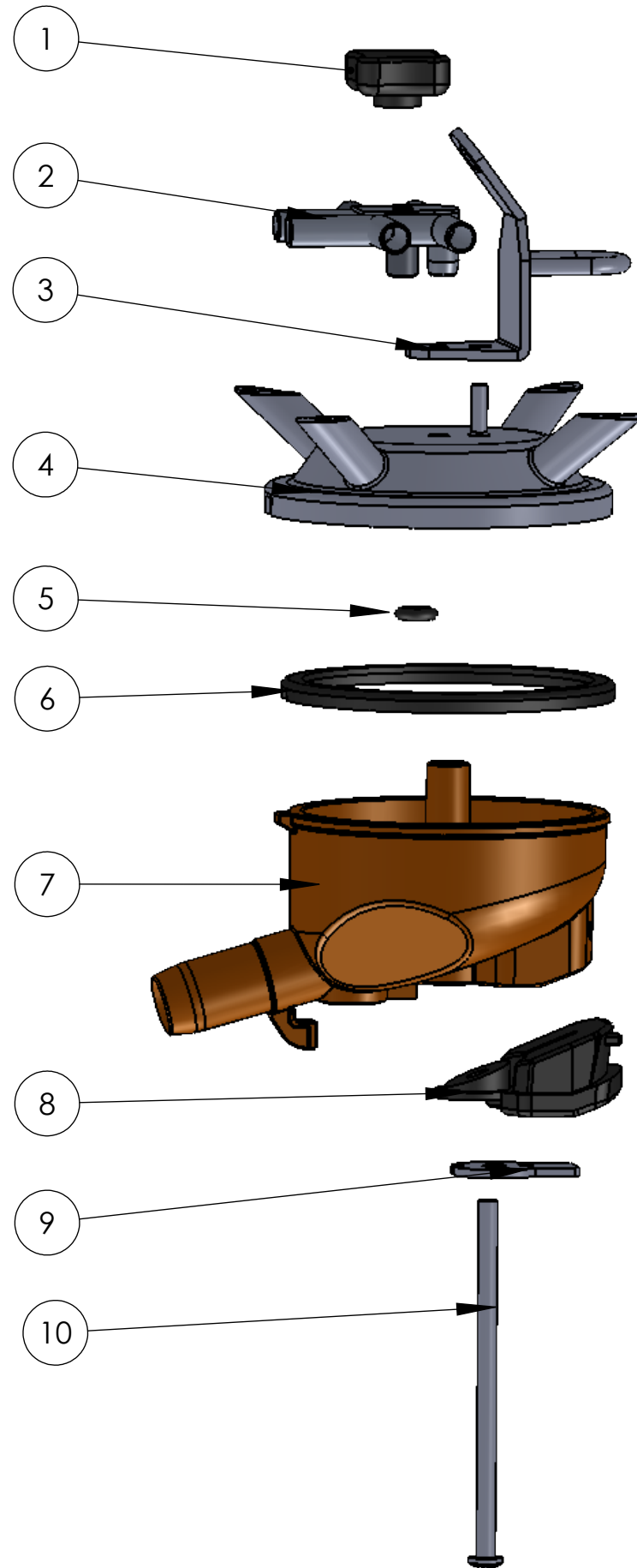


300CC Claw without valve



#13304 - Replacement claw without valve, S.S. 9/32", side to side

#13305 - Replacement claw without valve, S.S. 9/32",back to front

#13306 - Replacement claw without valve, S.S. 3/8" x 1/4",back to front

#13307 - Replacement claw without valve, S.S. 3/8 x 9/32,back to front

#13314 - Replacement claw without valve, S.S. 1/4", back to front

#13300 - Replacement claw without valve, plastic, 9/32" side to side

#13312 - Replacement claw without valve, plastic, 9/32" back to front

For Non-vented use -NV behind the part number

| ITEM | PART NUMBER | DESCRIPTION | QTY |
|------|-------------|--|-----|
| 1 | 14313 | Black nut | 1 |
| 2 | 14320 | Stainless 9/32" x 9/32" Side to Side Tee | |
| | 14324 | Stainless 9/32" x 9/32" Back to Front Tee | |
| | 14321 | Stainless 3/8" x 3/8" Back to Front Tee | |
| | 14323 | Stainless 3/8" x 1/4" Back to Front Tee | |
| | 14336 | Stainless 1/4" x 1/4" Back to Front Tee | |
| | 14309 | Plastic 9/32" x 9/32" Side to Side Tee | |
| | 14335 | Plastic 9/32" x 9/32" Back to Front Tee | |
| 3 | 14312 | Stainless top hanger with loop | 1 |
| | 14346 | Stainless to hanger with hook | |
| 4 | 14315 | Stainless top, VENTED | 1 |
| | 14340 | Stainless top, NON-VENTED | |
| 5 | 14307 | Small gray center gasket | 1 |
| 6 | 14305 | Bowl gasket | 1 |
| 7 | 13350 | Bowl WITHOUT hole | 1 |
| 8 | 14306 | Rubber bumper | 1 |
| 9 | 14318 | Stainless flat tab | 1 |
| 10 | 13308 | Bolt for claw without valve | 1 |
| 11 | 13325 | Rubber parts kit for claw without hole, (Includes: 5, 6, &8) | |