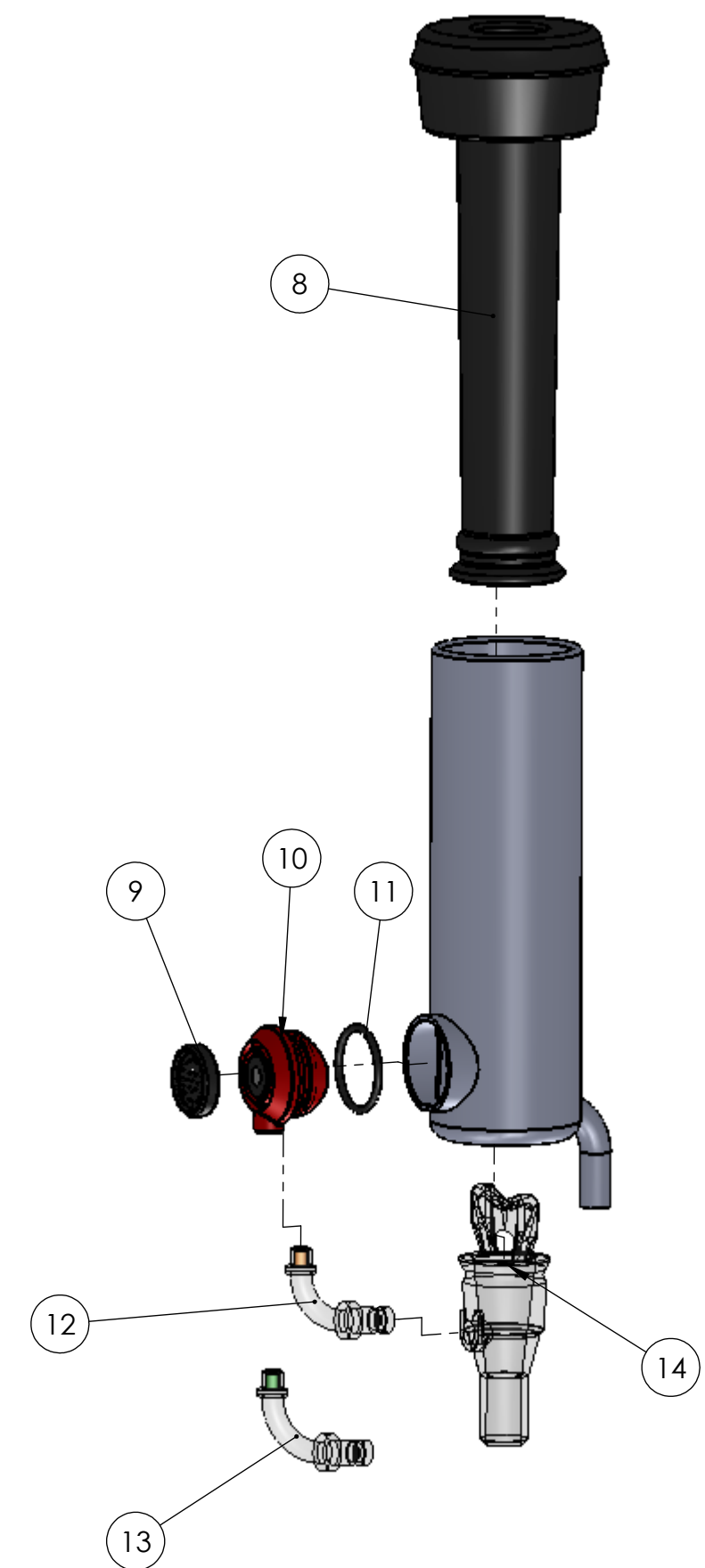
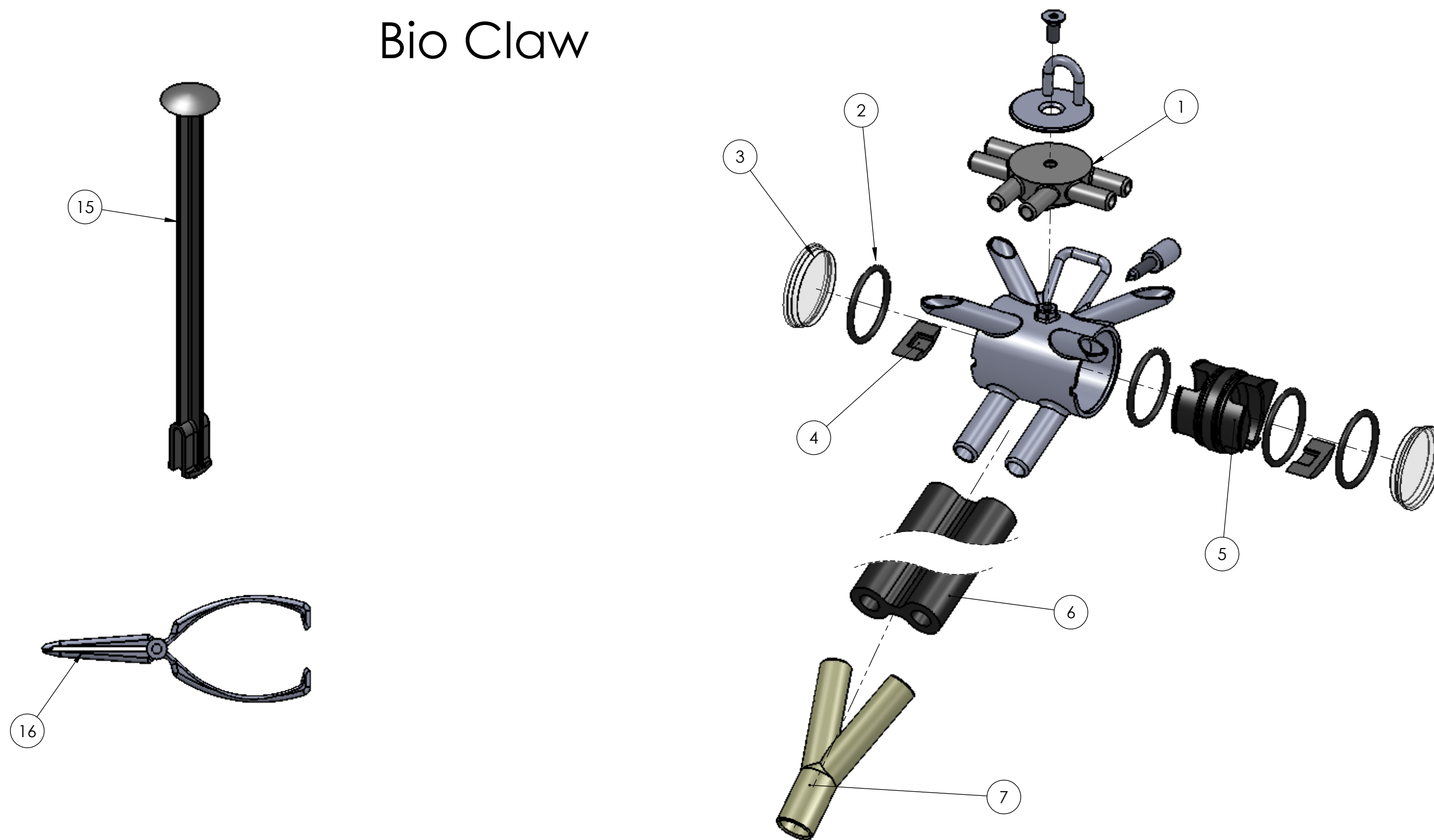


# Bio Claw



ITEM .	PART NUMBER	DESCRIPTION	QTY.
1	05125	Air fork ( #7022 2628 050)	1
2	10073	Replacement o-ring for window and center guide piece	4
3	10071	Replacement window	2
4	05120	Locking piece (#7022 2614 000)	2
5	05123	Center guide piece (#7022 2615 000)	1
6	05150	Twin milk hose , per foot (#4021 0239 026)	1
7	05145	Clear milk Y (#0018 6139 820)	1
8	05309	Inflations, per set (004) (#4014-2902- 009)	1
9	05153	Screen for air bleed (#7022 2611 000)	1
10	05130	Red air bleed ,Pk. of 4 (#7022 9926 140) Includes: 4-6	1
10	17537	Replacement red air bleed for Bio (EACH) Includes: 4-6	1
11	17539	Replacement O-ring red air bleed	1
12	05135	Elbows for shell ,Pk of 4, orange tip, L shape (#7022 9926 150)	1
13	05134	Elbows for shell ,Pk of 4, green tip, 90 degree (#7022-9925-040)	1
14	05132	Vac-u-stop, Pk of 4 (#7022 9926 040)	1
15	05137	Tool for Vac-u-stop (#7027 9826 050)	1
16	17535	Replacement pliers for inflations	1