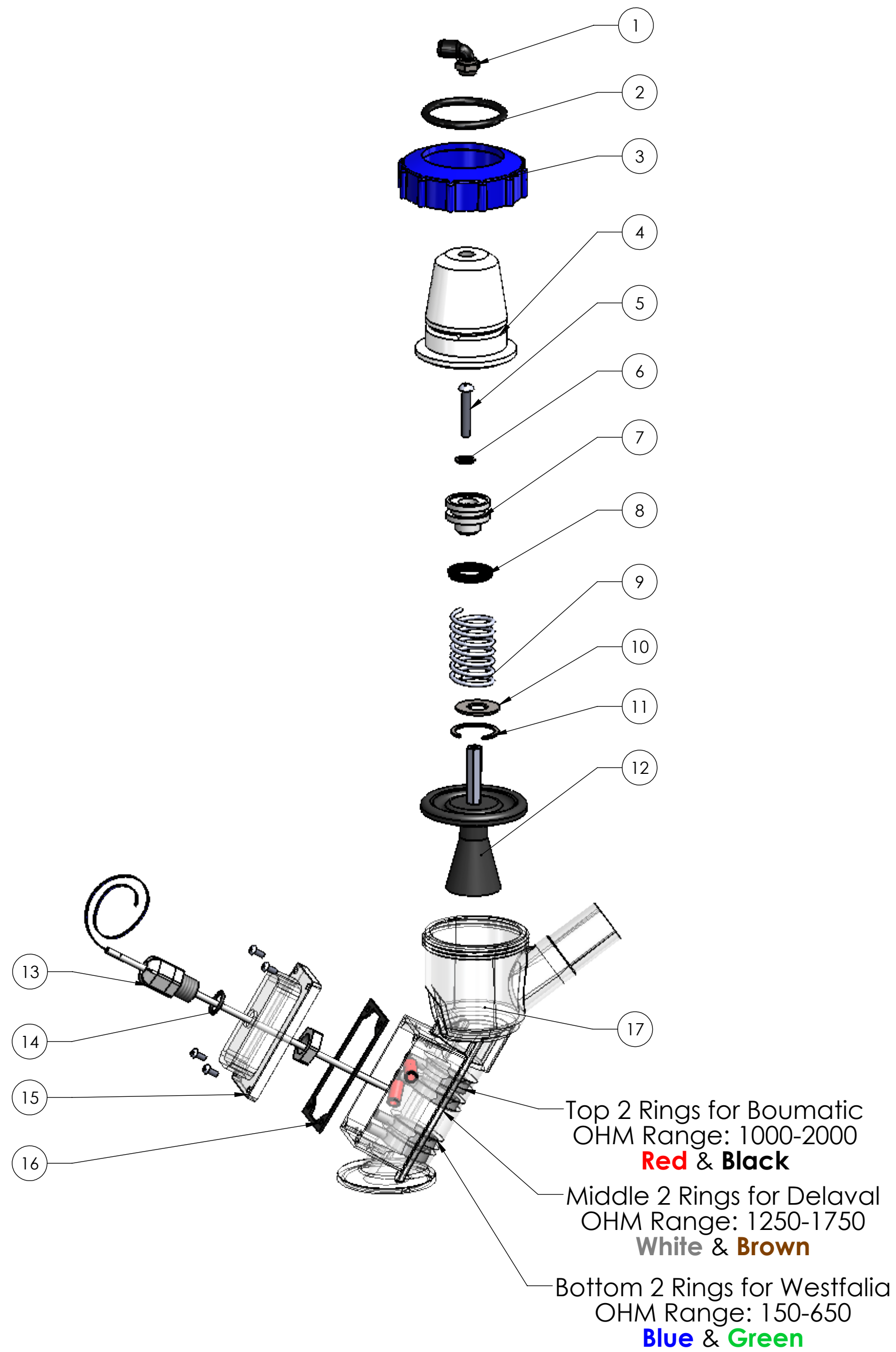


#99873  
Line mount Kleen-Flo Air Sensor , less bracket, 3/4"



ITEM	PART NUMBER	DESCRIPTION	QTY.
1	NS2578	5/32 X 1/8 Male Elbow	1
2	99168	O-ring	1
3	99889	Blue Nut	1
4	99162	Shutoff Top Only	1
5	99166	Top Screw	1
6	99170	Sealing Washer	1
7	99163	Insert	2
8	99169	U-cup	1
9	99167	Spring	1
10	99165	Flat Washer	1
11	99164	Snap Ring	1
	99155	Air Top Assembly (Includes #'s: 1-12)	
12	99875	Plunger (one piece)	1
13	92294	Cord Grip	1
14	NS2847	Number 7 o-ring	1
15	99879	Plastic terminal cover only	1
16	NS99880	Gasket	1
17	99878	Line mount Sensor Body (Includes cover)	1