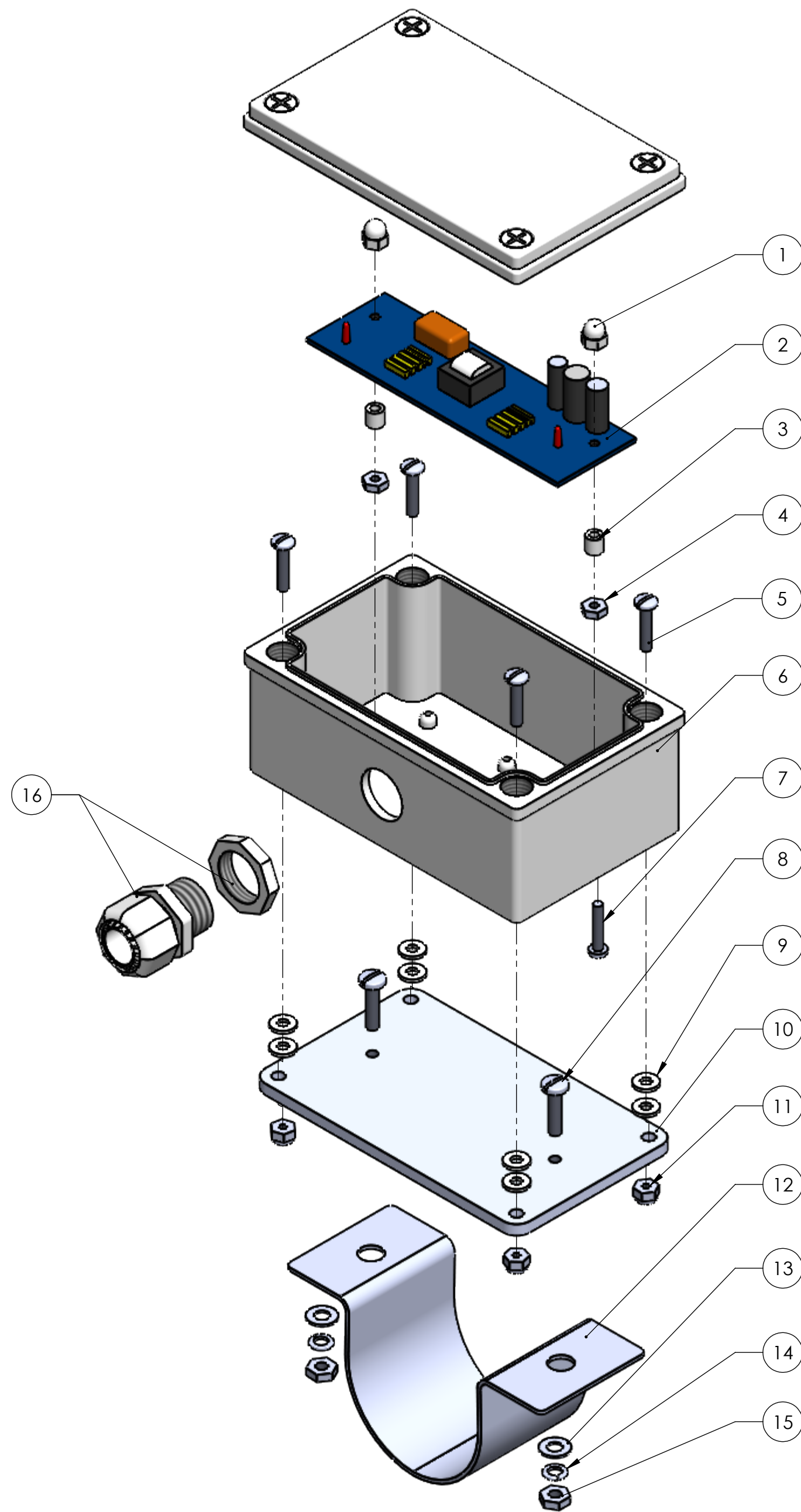


# #92279 Sensor Interface assembly



ITEM	PART NUMBER	DESCRIPTION	QTY.
1	NS5665	Nylon acorn nut	2
2	92280	Sensor interface board	1
3	NS5663	Nylon round spacer	2
4	NS5457	6-32 Nut	2
5	NS5522	8-32X3/4 bolt	4
6	92278	Box	1
7	NS5512	6-32X3/4 bolt	2
8	NS5539	10-32X3/4 bolt	2
9	NS2539	Nylon Washer	8
10	92276	Mounting plate	1
11	NS5469	8-32 Lok Nut	4
12	91806	Mounting bracket	1
13	NS5481	#10 Flat washer	2
14	NS5596	#10 Lock Washer	2
15	NS5460	10-32 Nut	2
16	92563	Cord grip, PG13.5	1