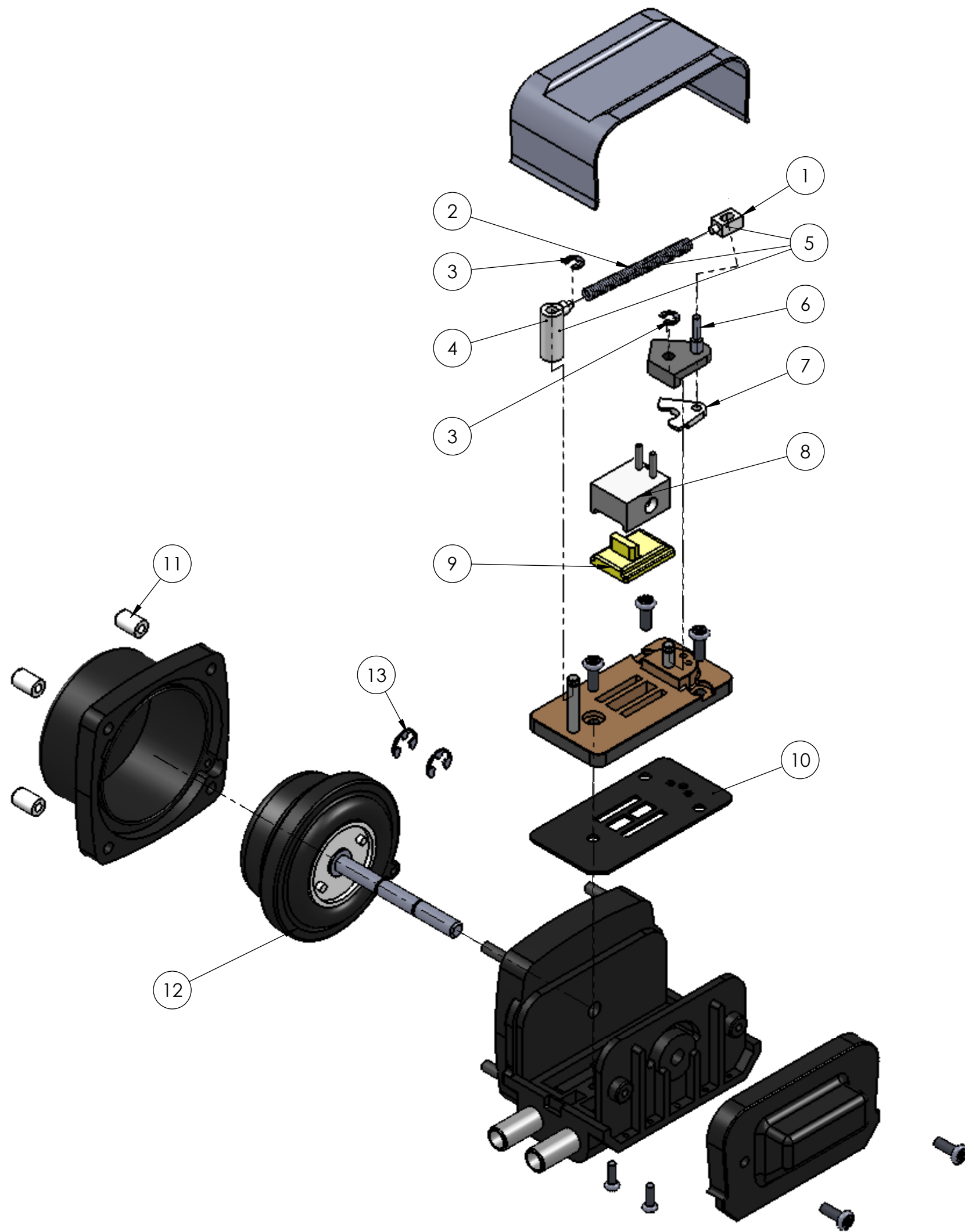


#43075 OHTA Pulsator



ITEM	PART NUMER	DESCRIPTION	QTY.
1	43063	Spring holder B for OHTA Pulsator	1
2	43061	Spring only for OHTA Pulsator	1
3	43069	5/32 E-Clip for OHTA Pulsator	2
4	43062	Spring holder for OHTA Pulsator	1
5	43060	Spring Assembly for OHTA Pulsator	1
6	43071	Reversing valve holder for OHTA Pulsator	1
7	43070	Reversing valve for OHTA Pulsator	1
8	43084	Slide holder for OHTA Pulsator	1
9	43085	Yellow slide for OHTA Pulsator	1
10	43081	Plate gasket for OHTA Pulsator	1
11	43065	Box nut for OHTA Pulsator	4
12	43080	Diaphragm assembly for OHTA Pulsator	1
13	20145	7/32 E-Clip for diaphragm for OHTA Pulsator	2