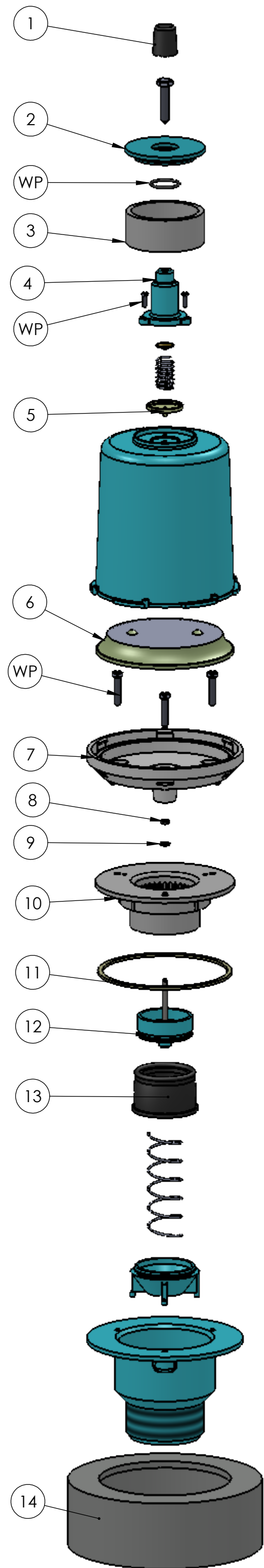


#17890 Mark II Regulator



ITEM	PART NUMBER	DESCRIPTION	QTY
1	17862	Replacement top rubber knob	1
2	17867	Filter cap	1
3	17852	Replacement top dome filter	1
4	17865	Adjuster housing	1
5	17869	Dome diaphragm	1
6	17856	Diaphragm with plate	1
7	17864	White flange assembly	1
8	17859	Rod seal	1
9	17868	Retaining washer	1
10	17854	Flow ring	1
11	17858	Silicone outlet seal	1
12	17866	Poppet assembly	1
13	17853	Roll seal	1
14	17849	Replacement foam filter	1
	17850	Sentinel Mark II foam filter	
	17870	4 piece repair kit for Mark II (Includes: 3,6,13 &14)	
	17875	Worn parts kit for Mark II (Includes: 1,WP,3,5-7,10-11,13-14)	