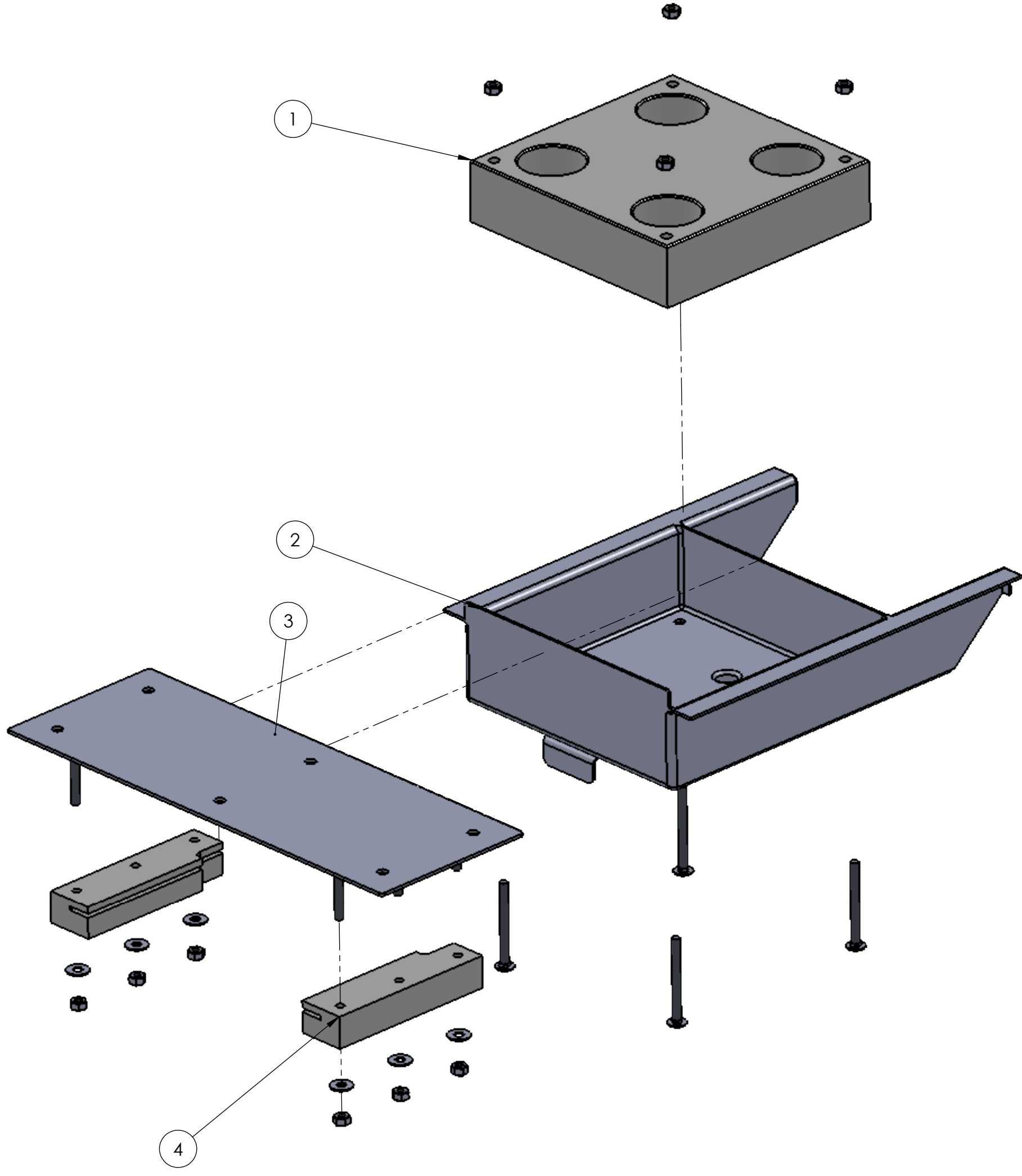


- #10272- Under curb mount sliding CIP rack 52 mm for LS01 DL liner
- #10274 - Under curb mount sliding CIP rack, 47mm for smaller head inflation
- #10275 - Under curb mount sliding CIP rack, 51mm for DL or WF shells
- #10276 - Under curb mount sliding CIP rack, 55 mm for Milkrite Silmax or Impulse IP3
- #10277 - Under curb mount sliding CIP rack, 57mm for Surge or BM shells
- #10278 - Under curb mount sliding CIP rack, 52 mm for GEA inflations or IQ claw



| ITEM | PART NUMBER | DESCRIPTION | QTY |
|------|-------------|--|-----|
| 1 | 10280 | 55 mm delrin block only for under curb CIP Milkrite Silmax or Impulse IP3, (55mm actual size) | 1 |
| | 10281 | 47 mm block only for Under Curb CIP, for smaller head inflations, (47mm actual size) | |
| | 10282 | 51 mm block only for Under Curb CIP, for DL or WF shells, (49.5mm actual size) | |
| | 10283 | 57 mm block only for Under Curb CIP, for Surge or BM shells, (56.5mm actual size) | |
| | 10284 | 52 mm delrin block only for under curb CIP for GEA inflations on IQ claw, (50.5mm actual size) | |
| | 10307 | 52 mm delrin block only for under curb CIP for LS01 DL liner, (52mm actual size) | |
| 2 | 10288 | Stainless tray only | 1 |
| 3 | 10285 | Stainless mounting plate | 1 |
| 4 | 10286 | Set of 2 mounting slides | 1 |