

# Depend-o-drain

22019- 240 V Depend-o-drain, normally CLOSED, gray motor cover, ball style

22020- 120 V Depend-o-drain, normally CLOSED, gray motor cover, ball style

22022- 120 V Depend-o-drain, normally OPEN, gray motor cover, ball style

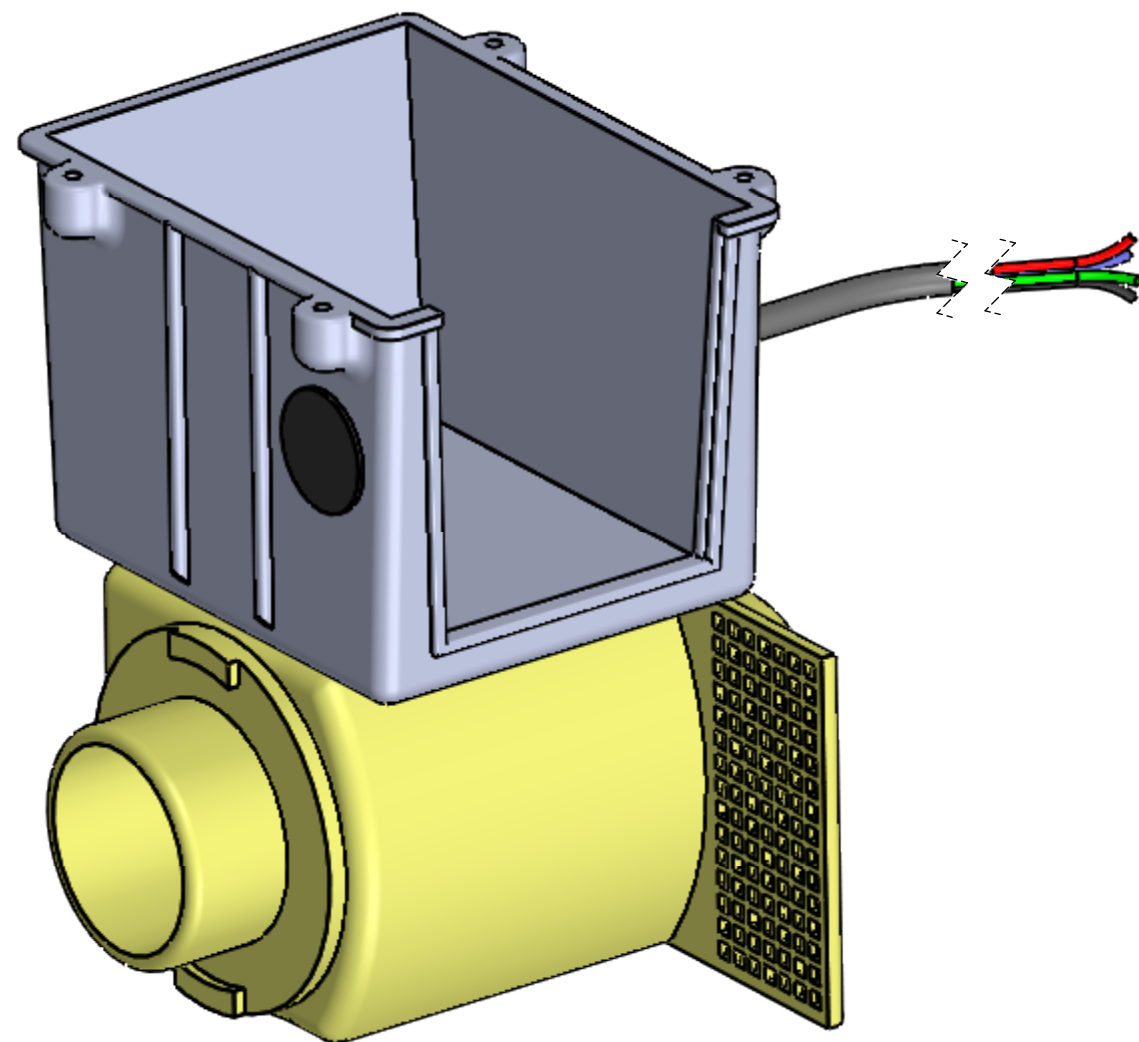
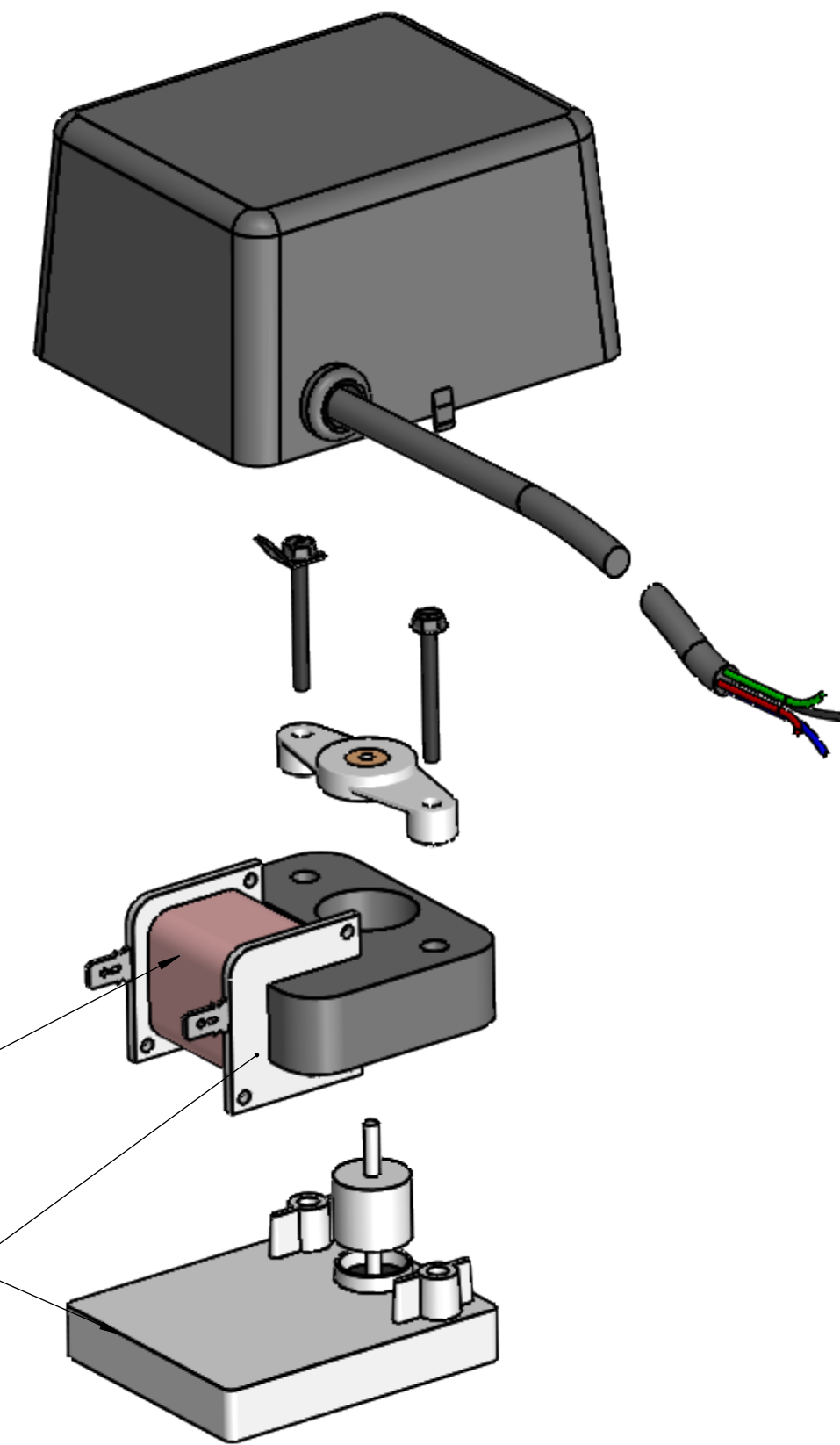
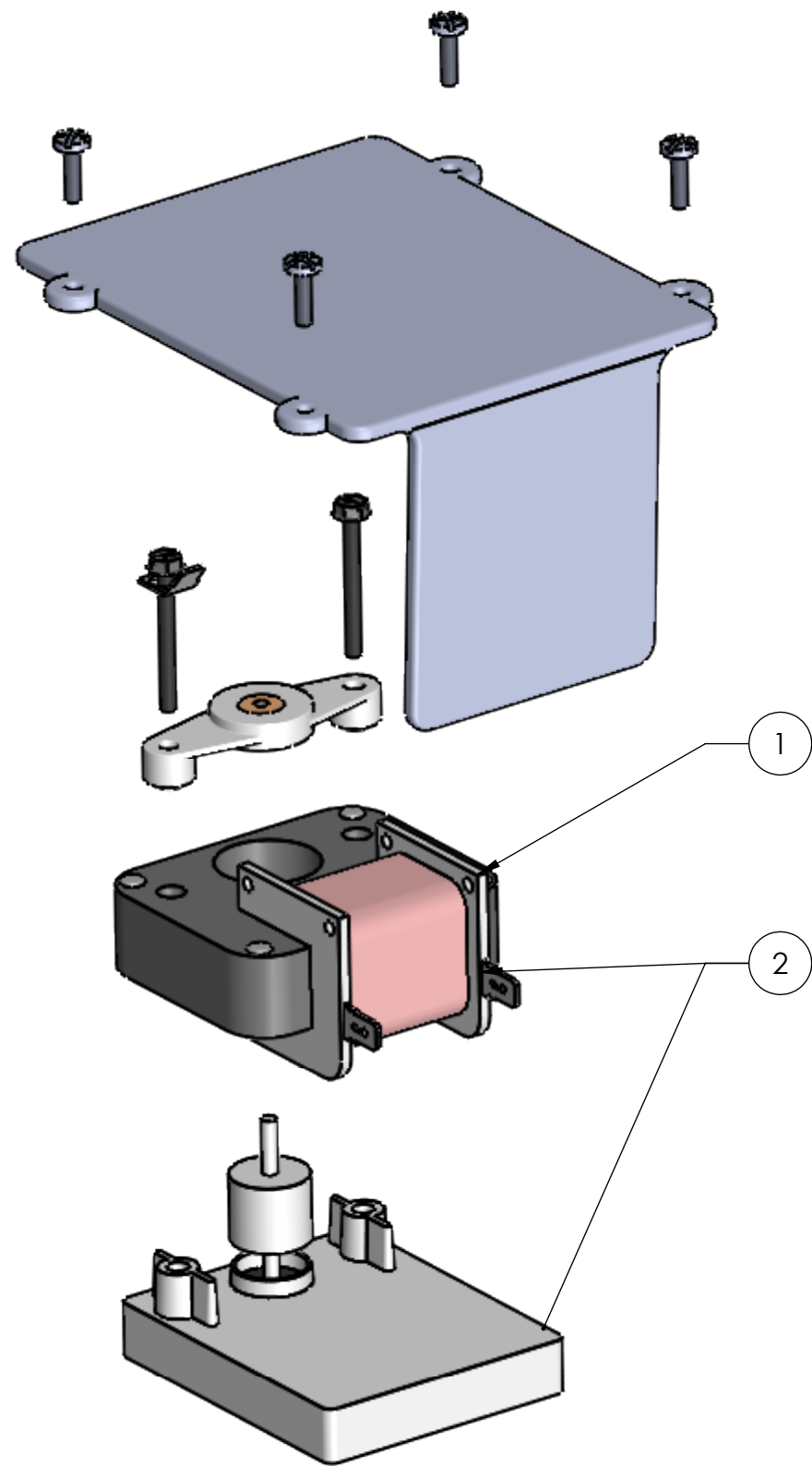
22032- 240 V Depend-o-drain, normally OPEN, gray motor cover, ball style

22034- 24 V AC Depend-o-drain, normaly OPEN, gray motor cover, ball style

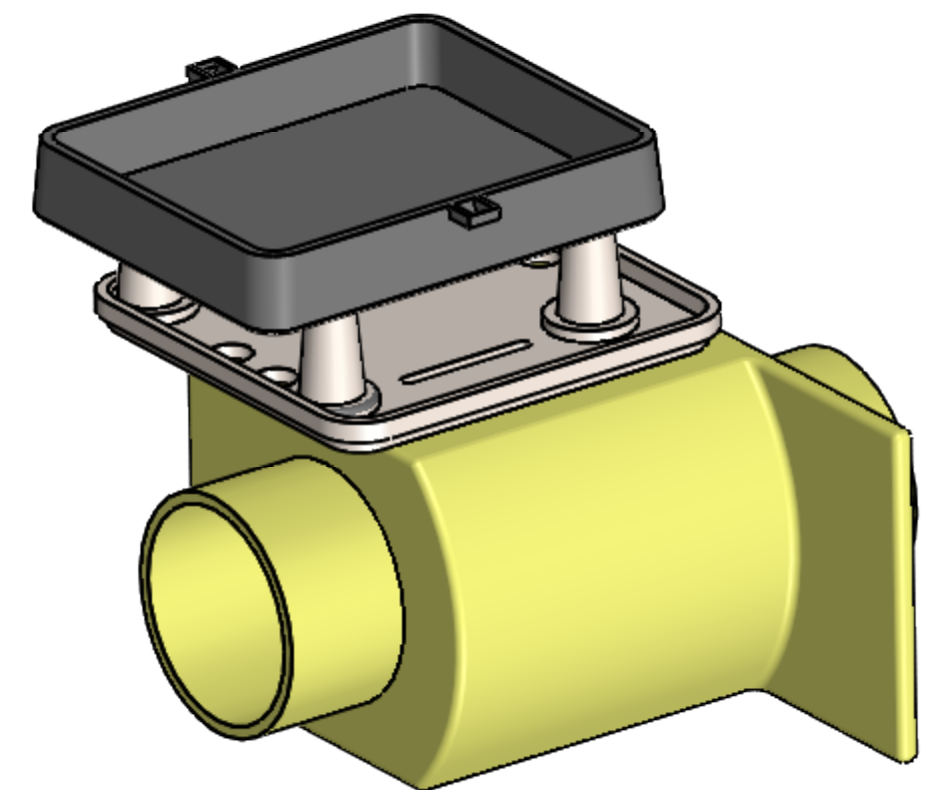
22023- 120 V Depend-o-drain, normally OPEN, black splash cover, plate flapper style

22025- 240 V Depend-o-drain, normally OPEN, black splash cover, plate flapper style

22033- 24 V AC Depend-o-drain, normaly OPEN, black splash cover, plate flapper style



The majority of the time if these don't work its because the transformer has burned out. When you install a new transformer, and if its running the wrong way, take it back off and flip it over.



ITEM	PART NUMBER	DESCRIPTION
1	22035	120 V transformer
	22036	240 V transformer
	22037	24 V transformer
2	22024	Motor for 120 V
	22026	Motor for 240 V